

ST9201

Cable Junction Compact



Cable Junction Compact to the concealed installation in the window gap. for max. Cable diameter of 4,5 mm.

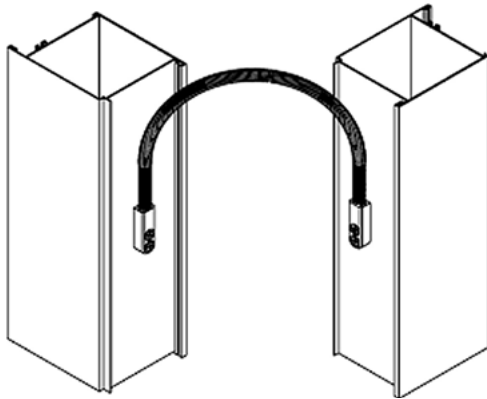
- Pivot/hopper windows retain their full functionality
- Door loop is accessible only on opening the window or door.
- Low installation expediture
- Suitable for round cable and flat cable
- Inner diameter: 5.3 mm

Technical Features:

Spring	DIN 1.4301, X5CrNi1810, A2
Lenght	171 mm
Inner diameter	5,3 mm
External diameter	7,0 mm
Endpieces	PA 6 GF 30, metalized
Dimensions (W x H x D)	30,5 x 10,0 x 7,7 mm
Angle of spread	180°
Temperature	-20°C up to +75°C
Countersunk screw	3,5 x 20 mm Form C-Z, A2
Plug	PA 6 GF 30

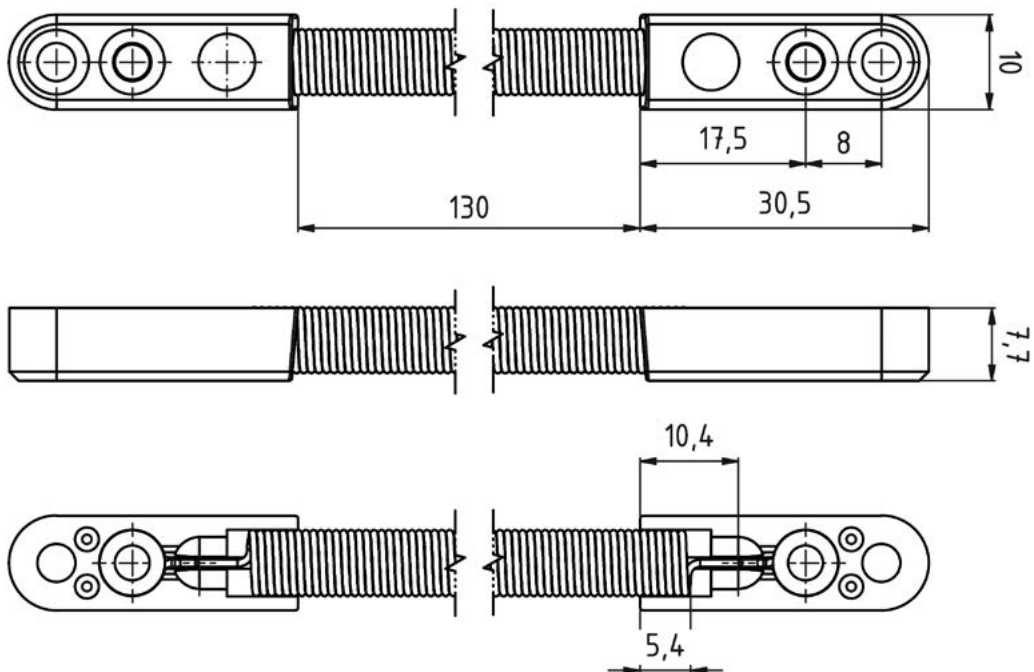
Description	Order No.
Cable Junction Compact	ST9201

ST9201 Cable Junction Compact



Installation

Cable Junction Compact is installed in the door or window fold and is concealed when the door or window panes are closed.



Please leave a cable loop. This will ensure that adequate cable is available for sliding on opening the door.

In parallel installation, a lateral space requirement of min. 21 mm and a vertical space requirement of min. 8 mm are necessary (distance between frame and panes). If the space ratios are small, the end piece should be mounted e.g., on the pane side in the metal fittings groove provided for the push rod.

The inner diameter of the spring is 5.3 mm. The maximum cable thickness should not exceed 4.5 mm.

The door loop is ideal for wooden, plastic and aluminium sections.